

Hale Trailer Brake & Wheel

A006470-A006474

VIN: 79354-79358



ALUMINUM "BST II" PLATFORM TRAILER



LENGTH:	48' - 24" BEAM	SUSPENSION:	AAT25K/E2-1 W/ 'K' BRACING
WIDTH:	102"		GALVANIZED HANGERS & SOFTCOAT PAINT
NOSE:	SQUARE + EXTRA ISO 7 WAY PLUG (1)(3)	LOWERING KIT:	AUTOMATIC
KING PIN SETTING:	30" W/ 5/16" STEEL-NO ACCESS HOLES	AXLE TO AXLE:	121"
FLOOR:	KNURLED ALUMINUM 3 NAILERS INTEGRATED SIDE RAIL	AXLE TO REAR:	30"
XMEMBER SPACING:	16"	LIFT / AXLE:	N/A
COIL PACKAGE:	YES (CENTER)- 8 PCS BAR INSERTS	SPACING:	N/A
SPOOLS:	DOUBLE	F.W. HEIGHT:	49"
POCKETS:	HD FRONT TO ACCEPT AERO BH-SEE DWG	CONTROLS:	N/A
ROPE HOOKS:	NONE	AXLES:	TP 23,000 GAWR
TIE DOWNS:	10 PR J-HOOKS & 2 STORAGE PIPES @ D/S LG	AUTO SLACKS:	MERITOR
MARKER LIGHTS:	LED - 6 PR EACH SIDE ON RAIL	BRAKES:	16 1/2" X 7"
MID TURN SIGNAL:	LED- COMBO MARKER / MMTS BELOW RAIL	ABS SYSTEM:	4S/2M (SENSOR ALL)
FLAT <input checked="" type="radio"/> ANGLED <input type="radio"/>		HUBS:	10 STUD LW STEEL
LIGHT PANEL:	LED - 9 LIGHTS (OOO ooo OOO) 1/2 STEPS ON REAR FULL WIDTH BUMPER	DRUMS:	LWBD
BULKHEAD:	NONE	WHEELS:	8.25 X 22.5 4HP / 4 MP
TYPE:		TIRES:	11R 22.5 R196A 14 PLY BRIDGESTONE
HEIGHT:		LANDING GEAR:	JOST AX150 ALUMILIGHT D/S CRANK FORWARD BRACING (2)
RETURNS:		TIRE CARRIER:	BRACKETS ONLY - P/S ACCESS MID TRAILER
MAT'L:		TOOLBOX:	QTY: ONE-AERO EXTREME 1/8" SIZE: 24" X 24" X 60" LOCATION: D/S-BETWEEN AXLES MAT'L: AERO DOUBLE DOOR-SMOOTH ALUM LO-MOUNT FOR WINCH CLEARANCE
ACCENT TAPE:	EAST BLACK	MUDFLAPS:	STD
PAINT:	EAST BLACK SOFT COAT BLACK ON SUSPENSION	TYPE:	SILVER PLASTIC
WINCH TRACK:	STANDARD INTEGRATED RAIL	LOCATION:	REAR
LOCATION:			
WINCHES:	12 - EA. STEEL SLIDING - D/S		
WINCH CLIPS:	12 - EA. SLIDING CLIPS - P/S		
STRAPS:	NONE		

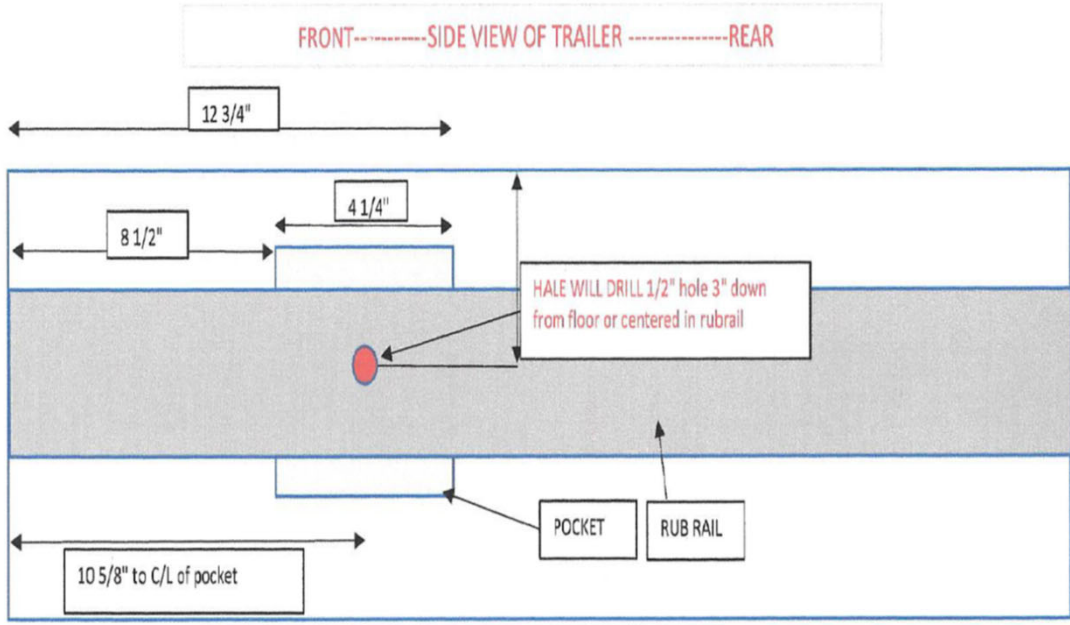
REMARK REF 76820

- EXTRA ISO 7 WAY PLUG WIRED TO JUNCTION BOX D/S INSIDE FRAME IN FRONT OF MOST FORWARD AXLE.
- TRUCKLITE REGISTRATION HOLDER D/S @ LANDING GEAR
- WIRING BACK 3" FROM INSIDE NOSE - SEE PICTURE

WEIGHT: +/-3%: 9421

DISCLAIMER

Specifications are believed to be correct, but may contain errors and/or omissions. Photographs are the representative of the subject equipment but may not be identical. Equipment availability, prices and specifications are subject to change without notice.



ELECTRICAL HARNESS TO BE BELOW OR ABOVE 1/2" HOLE

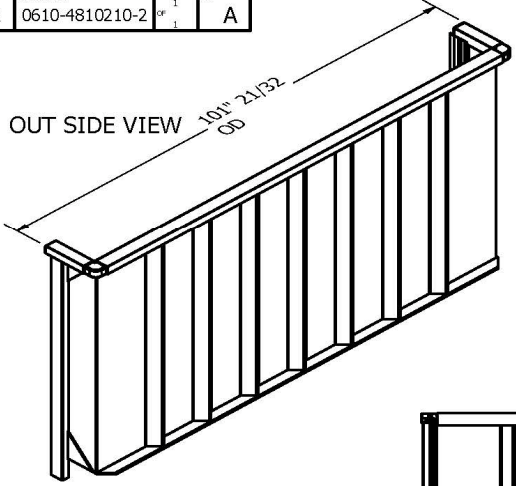


WIRING HARNESS TO BE LOCATED 3" REARWARD OF INSIDE 90 DEGREE ANGLE (STANDARD LOCATION OF HARNESS) ALL THE WAY ACROSS THE FRONT OF THE TRAILER

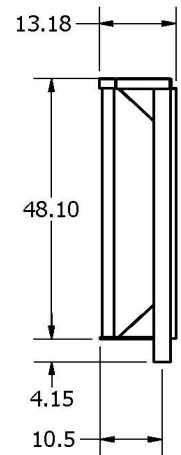
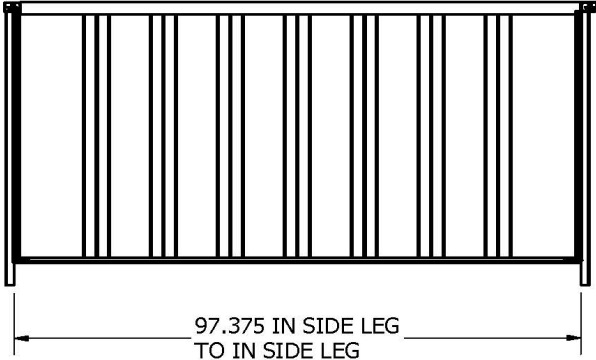
Hale Trailer
X JBW 4/25/18
X

SIZE	DRAWING NO.	SHEET	REV
A	0610-4810210-2	1	A

- NOTES:
- DO NOT SCALE DRAWING.
 - REMOVE ALL BURRS AND SHARP EDGES.
 - INDUSTRY STANDARDS AND PRACTICES MUST BE APPLIED IN FABRICATION OF PARTS.
 - PART TO BE FREE FROM SURFACE IMPERFECTIONS OTHER THAN SURFACE FINISH REQUIREMENTS.
 - CRITICAL DIMENSIONS ARE INDICATED BY ●
 - THIS DRAWING WAS ORIGINATED BY AND IS THE EXCLUSIVE PROPERTY OF AERO INDUSTRIES, INC. AND/OR ITS OWNER. IT IS NOT AN AUTHORIZATION OR LICENSE TO MAKE THIS CONSTRUCTION OR TO FURNISH THIS INFORMATION TO OTHER PARTIES.



INSIDE VIEW



7	0611-960125	LEG ASSY BULKHEAD ALUM P/S	1
6	0611-960126	LEG ASSY BULKHEAD ALUM D/S	1
5	0611-860132	GUSSET BULKHEAD DOT	4
4	TOP RAIL ASSY 102W		1
3	BOTTOM RAIL ASSY 102W		1
2	860159		1
ITEM	PART NUMBER	DESCRIPTION	QTY

REV	DESCRIPTION	BY	DATE
REVISIONS			

TOLERANCES UNLESS OTHERWISE SPECIFIED	MATERIAL NOTE
DIMENSIONS IN INCHES	
.X/ = ± .1716	
.X = ± .051	
.XX = ± .020	
.XXX = ± .010	
.XXXX = ± .005	
ANGLE = ± 1.0°	
SURFACE = 125	
USED ON	MATERIAL FINISH

P:\INVENTOR 2012\0610\0610-4810210-2.idw

TITLE: BULKHEAD ALUM 48"x102" 10" WRAP

SCALE: 1:1	DRAWN BY: MJB	APPROVED BY:	DATE: 8/28/2017
SIZE: A	DRAWING NO: 0610-4810210-2	SHEET: 1	REV: A

2

1