



HALE
TRAILER
 BRAKE & WHEEL

A014932-A014934
 VIN: 41020-41022

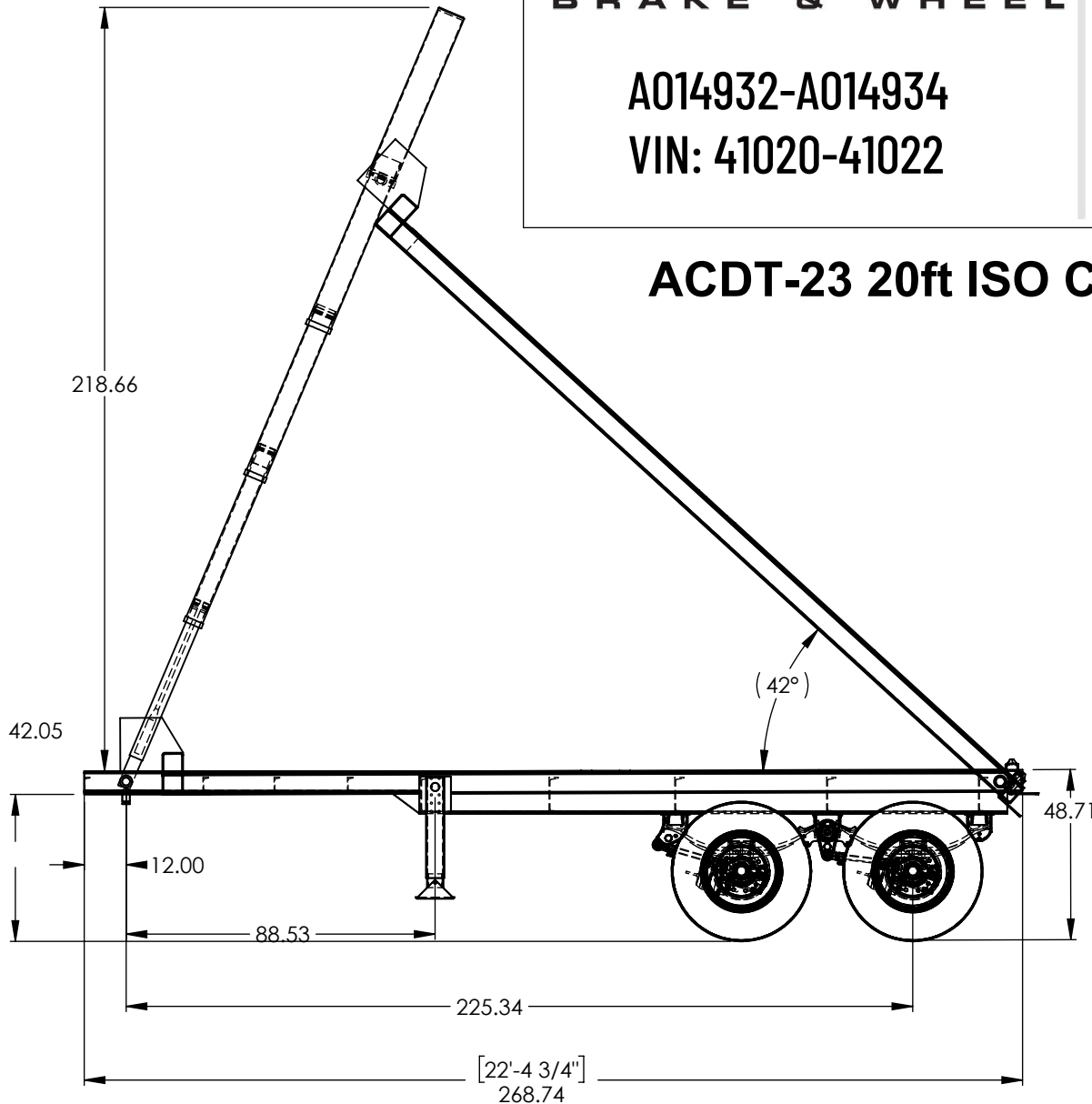
SALES | RENTALS | PARTS | SERVICE

Allentown, PA:	800-383-8894	Jacksonville, FL:	800-828-3055
Baltimore, MD:	888-601-7500	Little Rock, AR:	833-424-8944
Boston, MA:	800-854-5310	Portland, ME:	800-325-4253
Concord, NC:	800-438-2250	Richmond, VA:	866-839-3495
Delmar, DE:	866-486-1400	Scranton, PA:	800-569-1400
Des Moines, IA:	888-673-5011	Springfield, MA:	800-854-5306
Elkton, MD:	800-544-7127	Voorhees, NJ:	866-315-0235

HaleTrailer.com | @haletrailer     

800-232-6535 *FINANCING AVAILABLE

ACDT-23 20ft ISO Container Dump Trailer



General Specifications

New ACDT-232 23 Ft. Intermodal Container Dump Trailer (20ft ISO Containers)

23' Trailer Frame, 3/8" King Pin Plate, 18" King Pin Center

12" X 20 Ft. Lbs. Steel Main Frame with 6" X 20ft Lbs. Gooseneck

10" Channel Cross Members, Dual Speed Landing Gear,

Reinforced Rear Frame, Reinforced Goose Neck Frame Wrap

Front Mount Single Lift Cylinder, With 1" Pressure Hose

Tandem Axle Hutch 9700 Spring Suspension

(2) New 5" Meritor 25,000 lbs. Axles

Uni-Mount Hubs and Drums 8.25x22.5 Steel Rims

7.5 X 16 Brakes With 30/30 Brake Chambers, Uni-Mount Hubs and Drums

11R22.5 Radial Tires w/ Steel Matte Finish Rims

First Axle ABS Only, and Auto Slacks,

All Lights, Brakes, Air & Hydraulic Lines meet DOT Regulations

Cleaned, Primed, Painted (Industrial Enamel) Black

DISCLAIMER

Specifications are believed to be correct, but may contain errors and/or omissions. Photographs are the representative of the subject equipment but may not be identical. Equipment availability, prices and specifications are subject to change without notice.