

# HALE TRAILER BRAKE & WHEEL



**Resale Inventory**  
**A015221-A015222**  
**VIN: 049701-049702**

## SALES | RENTALS | PARTS | SERVICE

<b>Allentown, PA:</b>	<b>800-383-8894</b>	<b>Jacksonville, FL:</b>	<b>800-828-3055</b>
<b>Baltimore, MD:</b>	<b>888-601-7500</b>	<b>Little Rock, AR:</b>	<b>833-424-8944</b>
<b>Boston, MA:</b>	<b>800-854-5310</b>	<b>Portland, ME:</b>	<b>800-325-4253</b>
<b>Concord, NC:</b>	<b>800-438-2250</b>	<b>Richmond, VA:</b>	<b>866-839-3495</b>
<b>Delmar, DE:</b>	<b>866-486-1400</b>	<b>Scranton, PA:</b>	<b>800-569-1400</b>
<b>Des Moines, IA:</b>	<b>888-673-5011</b>	<b>Springfield, MA:</b>	<b>800-854-5306</b>
<b>Elkton, MD:</b>	<b>800-544-7127</b>	<b>Voorhees, NJ:</b>	<b>866-315-0235</b>

HaleTrailer.com | @haletrailer

**800-232-6535** \*FINANCING AVAILABLE

### TK85EFX Extendable Blade Hauler;

13223-TK85EFX

#### STANDARD EQUIPMENT

85,000-lb. capacity  
 8'-6" wide  
 9'-2" gooseneck (detachable, low profile)  
 20" kingpin setting  
 49" 5th wheel height  
 58" front platform height (102" wide, 28" long)  
 Slide-able rear platform (102' wide, 36" long)  
 45 deg. tapered front corners  
 Heavy duty front pullout/rotate down stabilizing legs  
 Narrow Mono-beam design with 4 stages  
 Kingpin steering  
 15 ft. non-loadbearing pull-out rear extension  
 Tritronic remote control with auto align function

Remote can be used wireless or cord type  
 44 deg max steer angle (3rd axle)  
 Self-contained hydraulics  
 Hydraulic support leg to aid in closing and opening  
 Individual aluminum fenders  
 3 axle-72" axle spacing  
 4S2M Anti-lock brakes  
 Steel hub-piloted - cast drums  
 6.75 x 17.5 8-hole disc wheels  
 235/75R X 17.5 tires  
 Red & white conspicuity markings  
 Blasted prior to paint  
 Color: Trail King 2-part polyurethane

Item #	Category	Description	Weight (lbs)	Qty
68983	Open Deck	TK85EFX Extendable Blade Hauler; 53' closed OAL, 177' 9"open OAL (194'-9" including pull-out)		
13230	Landing Gear	2-speed landing gear		
13232	Suspensions	Air ride suspension HT250		
13234	Axles	25,000 lb. cap. Axle (5/8" wall)		
13257	Wheel Finish (inside)	6.75 x 17.5 8-hole machined aluminum wheel		6

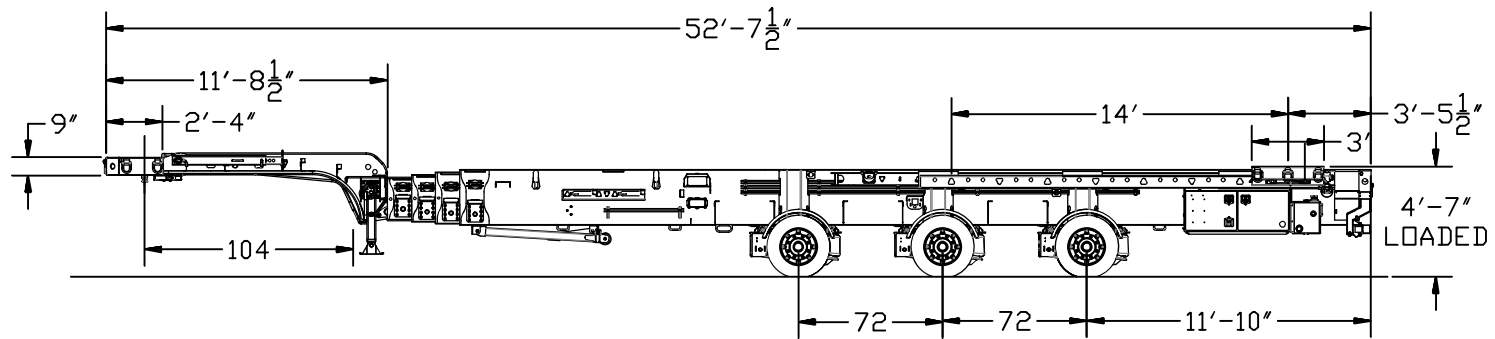
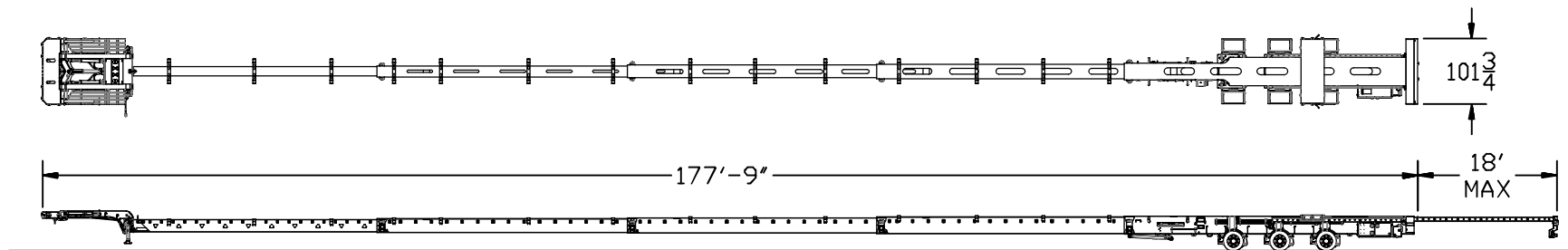
13261	Wheel Finish (outside)	6.75 x 17.5 8-hole polished aluminum wheel (per wheel) ILO Std 6.75 x 17.5 8-hole machined aluminum wheel	6
07907	Tire Size	235/75R17.5 - 18 ply HTL2 (tire only) (per tire)	
10059	Spare Tires	No spare tire	
13241	Hydraulics & Controls	Hydraulic turntable style steering	
13245	Hydraulics & Controls	13 hp Honda (ILO diesel)	
08024	Paint	Black S7203 with white decals (735-432-039)	

### 13223-Additional Options

Item #	Category	Description	Weight (lbs)	Qty
68791	Custom Options	68791 TK85EFX, 5 section, 177'-9" open, 102" wide, 11'-8" gooseneck (OAL will change accordingly) with 108" swing clearance, 13HP Honda SCU, (1) 36" X 102" sliding platform at rear, rear pullout (17'), 3 axle		
68983	Custom Options	68983 TK85EFX-5 Move SCU to rear of trailer behind axles. Move axles ahead 56" to allow room for the SCU		
08569	Miscellaneous	DOT Inspection - all Open Deck and Materials Hauling trailers		

#### DISCLAIMER

Specifications are for the equipment at the time it was produced and may not accurately reflect its current condition. Photographs are the representative of the subject equipment but may not be identical. Equipment availability, prices and specifications are subject to change without notice.



MODEL ..... TK85EFX-5  
 ESTIMATED WEIGHT - 38,200 LBS

G1665 - TK85EFX-5

**TRAIL KING** IND. INC.

BOX 1064 - MITCHELL, SD 57301

DRAWN BY  
GRK

DATE  
5/11  
2016

IDENT. NO.  
69699

This drawing represents a proprietary product of Trail King Industries, Inc., Mitchell, South Dakota, and shall not be released, disclosed, used, or duplicated, without the written permission of Trail King Industries.