




A016853-A016854
VINS: 219286-219287

SALES | RENTALS | PARTS | SERVICE

Allentown, PA: 800-383-8894	Jacksonville, FL: 800-828-3055
Baltimore, MD: 888-601-7500	Little Rock, AR: 833-424-8944
Boston, MA: 800-854-5310	Portland, ME: 800-325-4253
Concord, NC: 800-438-2250	Richmond, VA: 866-839-3495
Delmar, DE: 866-486-1400	Scranton, PA: 800-569-1400
Des Moines, IA: 888-673-5011	Springfield, MA: 800-854-5306
Elkton, MD: 800-544-7127	Voorhees, NJ: 866-315-0235

HaleTrailer.com | @haletrailer     

800-232-6535 *FINANCING AVAILABLE

ITEM	DESCRIPTION
TYPE	LOG TRAILER, DROP 
DIMENSIONS	
LENGTH	48'- 0" overall.
WIDTH	102".
HEIGHT	Nominal, 13'-6" high, top of frames approximately 61" high at front and 49" at rear. (Canada & USA application)
DROP HEIGHT	10" high at 19'-0" from front. (ref: #212677)
COUPLING	
COUPLER PLATE	3/8", 100 000 psi. steel, plug welded reinforced structure.
KING PIN LOCATION	36" from front.
KING PIN	Bolted, 2" diameter, Holland, KP-0882.
COUPLER HEIGHT	50"
STRUCTURE	Frame with "CAMBER".
FLANGES	3/8" x 6", 100 000 psi steel.
WEB	1/4" plate full length, 80 000 psi steel, with holes, parachute shaped, to lighten trailer.
FRAME BRACING	Flat bar 4" x 1/2", 100 000 psi steel, installed underneath the bottom flanges only, at stiffeners area for the loader.
GOOSENECK	11" high, with integrated nose ramp and 48" straight behind king pin.
CROSSMEMBERS	I beams, 4" à 3.64 lbs/ft, 80 000 psi steel, between main beams.
FLOOR	Checker plate 1/8" between main beams, full length, **With hole for loader and cover with a bolted floor section** **NO FLOORING ON TOP OF FLANGES AT BOLTED SECTION**
FLOOR FASTENING	Fully welded on length, and at joints.
CORNERS	Square.
FENDERS	Checker plate 1/8", above truck wheels, sloping.
BRACING FOR LOADER	Stiffeners at 6" c/c on the outside of frames in the web. **loader to be installed at center: front and rear grapple holders at 23 '-0" from center of the loader area**
ENDS	
FRONT RAIL	3/16" thick formed plate, 80 000 psi steel.
BUMPER	Forestry type, tubing with integrated push & pull plates installed on bumper uprights.
BUMPER	Round tube 6 5/8" x 56". Start tube 6" from rear, exceeds 14".
HEADBOARD	72" high with fabricated beams and square tubings 1 1/2". No ladder, 4" between the tubes, (5.5" c/c) for smaller logs. **Galvanized** (ref: #215457)
POCKETS	Front headboard boxes modified (tenon + mortise) in order to clear the front rail by 6". (engineering)
LOGGING	
BUNKS	5 lengths of 8', 4 of 12', 3 of 16' or full length logs. 5 fixed sets of bunks with fabricated boxes. Located: 73 1/2", 57", 53", 56", 70", 56", 53", 59" & 70 1/4"
BUNKS	First 2 at front, 4 1/2" x 7" high, (flanges plate 1/4" 100 000 psi



ITEM	DESCRIPTION
BUNKS	steel and webs one each side 3/16" 80 000 psi steel), double post boxes on first bunk.
BUNKS	Central section, 4 1/2" x 5" high, (flanges plate 1/4" 100 000 psi steel and webs one each side 3/16" 80 000 psi steel).
BUNK ANGLES	Rear, 10 1/2" x 9 3/4" high, (formed 3/16" "V" plate with 1/4" top plate, 80 000 psi steel), with double boxes.
STAKES	Steel ridge 1/2" x 1 1/2" installed on last bunk to hold tree length lumber.
GLAD HANDS PROTECTOR RAISERS BUNKS	Qty: 20, ultra light, galvanised (G164), botton 4" x 4", curved, 80 000 & 100 000 psi steel.
GLAD HANDS PROTECTOR RAISERS BUNKS	3/8" thick plate, welded at front rail.
GLAD HANDS PROTECTOR RAISERS BUNKS	One, aluminum extrusion 3" x 2" for a height same as the drop.
GLAD HANDS PROTECTOR RAISERS BUNKS	Qty: 2 sets of double post box. Located: bunk #4 and bunk #7
ELECTRICAL FRONT CONNECTOR	7 way (SAE J560), Phillips brand.
ELECTRICAL SYSTEM MAIN SYSTEM	7 way (ISO 3731), for auxiliary functions only.
TURN SIGNAL	Shock proof lights, polycarbonate lenses, in compliance with CMVSS 108. Grote Ultra Blue LED, sealed beams, tail lights with male pins #53252 (10 diodes), markers lights Micronova #47973, identification lights #47122 (2 1/2" dia.), licence light #60280-M).
BACK UP LIGHT(S)	Sealed beams LED, one lamp including side marker and flasher, each side at middle point, amber.
TAIL LIGHTS	LED spot light in a vinyl angled grommet. Qty: 2
BACK UP LIGHTS	Sealed beams (Grote DEL #53252, 10 diodes) red. Qty: 1 additionnal each side.
TAIL LIGHTS	Qty: (2), tractor type sealed LED beam lights (Grote #64G51, TRILLANT), to light up toward the rear.
TAIL LIGHTS	Must be connected with rear back up lights. Located: under 4th bunk from front.
TAIL LIGHTS	Qty: (4) extra sealed lamps L.E.D. (red), rear lights with *** 10 diodes *** (Grote #53252-3).
TAIL LIGHTS	Located: On each side between bumper uprights on cross bar. Total: 10 tail lights (3 each side and 4 in middle)
LANDING GEAR SAND SHOES CRANK DEFLECTORS	Holland, Mark V (LGS-4F315), with mounting plate, solid axles, galvanized.
LANDING GEAR SAND SHOES CRANK DEFLECTORS	10" x 11 1/2", solid axles.
LANDING GEAR SAND SHOES CRANK DEFLECTORS	Road side.
LANDING GEAR SAND SHOES CRANK DEFLECTORS	Landing gear deflector.
BOGIE BASIC SUSPENSION SUSPENSION	Hendrickson INTRAAX disc brake AAT-30K HXL5 (MAXX 22T), tridem, 60" spread. For axles with bearings HM 518445.
SUSPENSION (INTRAAX)(HXL5	*** Braking capacity reduced *** *** Hendrickson strongly recommand for asphalte roads only *** Easy for rocks to infiltrate between the rotor and brake pads.
SUSPENSION (INTRAAX)(HXL5	OPTION "EXTENDED LIFE HXL5 PACKAGE" ON INTRAAX/VANTRAAX SUSPENSION.



ITEM	DESCRIPTION
STROKE STOPPERS	Seals (Federal Mogul), spindle nut (Precision), hub cap (Hendrickson) grease, bearings (HP).
LIFT DEVICE	Retaining chains for INTRAAX air suspensions with grounded axles. Hendrickson "UBL", bolted (removable) and galvanized with air system Manac. Front axle controlled from cab and rear axle manually controlled. Located: on front and on rear axle.
SPRINGS	Air.
AXLE(S)	LDA, 5 3/4" diameter, 25 000 lbs. capacity.
SPIDERS	Welded.
CAM SHAFTS	
TRACK	77 1/2".
DUST SHIELDS	Steel, clamped.
BRAKES	Hendrickson Maxx 22T
BEARINGS	HM 518445.
SLACK ADJUSTERS	
SEALS	Seal (Federal Mogul), Spindle nut (Precision), Hub cap (Hendrickson) Grease, Bearings (HP).
BRAKE CHAMBERS	20/24
HUBS AND DRUMS	10 studs disc hubs, outboard mount, 285.75mm B.C., single flange nuts. For dual aluminium wheels.
RIMS	Alcoa, aluminum, "ULTRA ONE", 24.5 x 8.25, disc (10 holes), 285.75mm B.C., single flange nuts.
SPACERS	Wheel guard 10 holes. Located between the inside wheel and the drum and between two wheels.
TIRES	Plant choice Tire, 11 R 24.5, 16 ply, 43.6" dia.
RIMS	*** Those standard aluminum rims are not covered by a warranty for an off road application. ***
AIR SYSTEM	
GLAD HANDS	Fixed.
AIR VALVES	Meritor Wabco, ABS, 2 sensors 1 modulator.
VALVE	Manual blow down valve in a control box, WITHOUT auto-reset feature, including Glycerin filled pressure gauge, in P.S.I., to indicate load with a conversion table.
CONTROL BOX	Stainless steel, 10 "high x 12" wide x 6 "deep.
VALVES	Used to close the supply of air to air bags. (2 per axle) (shut off).
ACCESSORIES	
REGISTRATION HOLDER	One plastic, Betts-PS-1 or equivalent.
WINCHES	Qty: 2, #5820, fixed, recessed, located road side between first set.
WINCHES	Qty: 8, #5820, fixed, tilted 45 degrees, located road side between bunks.
WINCHES	Handle welded on each winch.
STRAPS	Qty: 10, nylon, with 1'-6" chain and grab hook, 30' long x 3" wide. (KINEDYNE)
LASHING RINGS	Qty: 10, lashing pockets on the opposite side of winch's.
LASHING RINGS	Qty: 10, lashing pockets located on winch supports to hang the cable hooks.

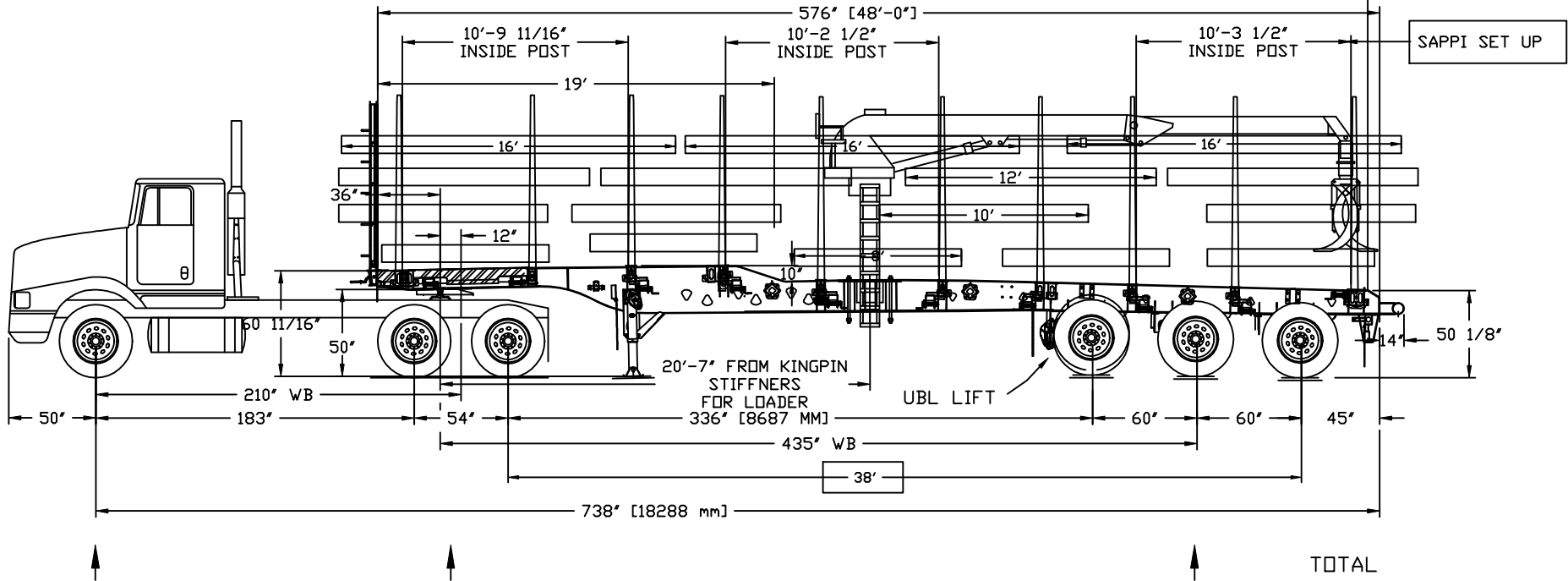
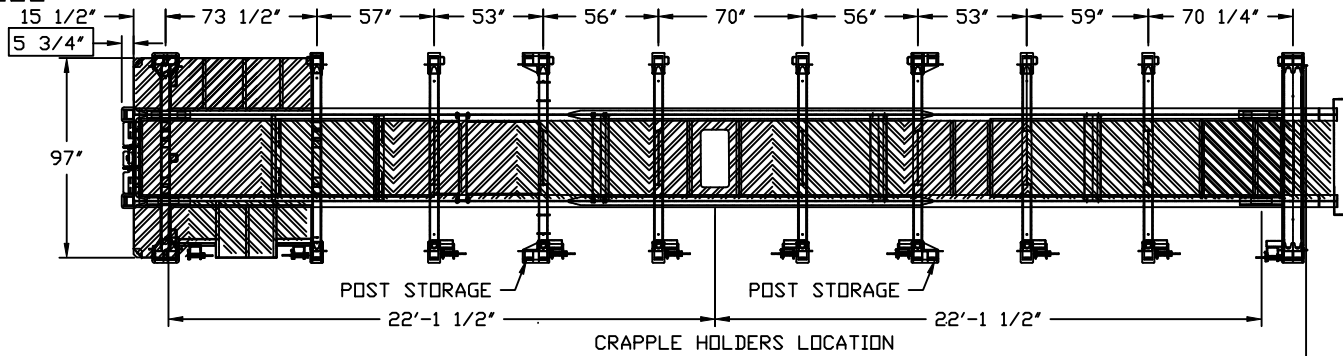


ITEM	DESCRIPTION
MUD FLAPS	Three fix sets, rubber with Manac logo and vertical grooves to reduce spray, located ahead of landing gear, at rear bumper and at front.
EXTRA MUD FLAPS	Black rubber w/logo Manac, logo toward the front (#303-0011). Located: Under the flanges ahead of the tridem, 48" wide.
EXTRA MUD FLAP	(To protect air booster & the suspensions). Black rubber w/logo Manac, logo toward the front (#303-0011).
CHAIN HOLDERS	Located: Under the flanges ahead of the landing gear, 48" wide. (4) welded under the bunk, 2 each side of main frame.
HYDRAULIC LINES	***MOUNTING POSITION: 1 ON BUNK#3 AND 1 ON BUNK#4 EACH SIDE ***HOOK MOUNTED FACING TOWARD OUTSIDE OF TRAILER EACH SIDE ***NOT MOUNTED WITH HOOK FACING FRONTWARDS OR BACKWARDS
ACCESSORIES	Holes only, 3" of diameter allowing hydraulic lines to run between the main beams over the coupler plate. Supports of lines welded under bunks until the loader.
BROOM HANGER	5 holes, (3 holes curbside and 2 holes roadside). Qty: 2 grapple holders: 2 rectangular tubings 4" wide x 3" high x 21" long x 3/8" thick.
HOSES HOLDER	Attention: Each tube has a different opening. Located: FURTHEST MOST FRONT AND REAR Located at top of front headboard, installed on road side.
FINISHING PAINT FINISHING	*** Top to have cradle (L-brackets) to prevent broom from coming out*** (ref: #198782 + stopper)
GRAVEL GUARD	Located at center, on top of the headboard (drawing for approval)
HUBS	No paint & no primer on the trailer. Galvanized plateform. (no paint)
WHEELS OR RIMS	**CAUTION MANAC NOT RESPONSABLE OF THE ESTHETICS OF THE GALVANISATION.** Apply gravel guard on the suspension hangers.
RETROREFLECTIVE TAPES	Black. Natural.
ADDITIONAL OPTIONS	Conspicuity striping in compliance with CMVSS 108. Gray and red, each side, fully covers rear sill and horizontal underride protection bar, front and rear of each stake.
SUB-CONTRACT BY MANAC PRO	By: Multi-Remorque Soudure Inc. #708 Paint on exterior side of main frames color black.
MISCELLANEOUS	Authorization: #75315 Pre delivery inspection.
ANNEX(ES) ATTACHED	Mark and model of loader: TBA Supplied by: TBA Installed by: TBA Appr. weight: TBA Fixed by ("U" bolts or others): TBA
CONFORMITY	This semi-trailer does not comply with GHG regulations. Should GHG regulations come into force prior to the production of the trailer(s), Manac will have the obligation to ensure the trailer(s) produced meet minimum GHG guidelines. Any modifications required to meet the GHG regulations will be added to the initial purchase price and charged back to the customer.

DISCLAIMER

Specifications are believed to be correct, but may contain errors and/or omissions. Photographs are the representative of the subject equipment but may not be identical.
Equipment availability, prices and specifications are subject to change without notice.

HALE TRAILER BRAKE & WHEEL
DROP LOGGER 48'-0"



12000 LBS

34000 LBS

43500 LBS

80000 LBS

NEW YORK

-THE INFORMATIONS MENTIONED IS THE MANAC'S UNDER-
STANDING OF THE VEHICLE WEIGHTS AND DIMENSIONS
REGULATIONS FOR THE GIVEN STATES, PROVINCES OR
COUNTRIES. IT IS THE CUSTOMERS RESPONSABILITY
TO VERIFY IT.

- HERE ARE THE PRELIMINARY DRAWINGS BEING RELEASED
TO PRODUCTION. ANY MAJOR CHANGES, IF REQUIRED,
WILL AFFECT THE ORIGINAL DELIVERY DATE.

manac



APPROBATION

SALESMAN _____

CUSTOMER _____

manac

S. PARENT
DRAFT : 219282-V1
DATE: 25-07-22