

# HALE

## TRAILER

### BRAKE & WHEEL



A018312-A018314  
VIN: 78958-78960

#### SALES | RENTALS | PARTS | SERVICE

Allentown, PA:	800-383-8894	Jacksonville, FL:	800-828-3055
Baltimore, MD:	888-601-7500	Little Rock, AR:	833-424-8944
Boston, MA:	800-854-5310	Portland, ME:	800-325-4253
Concord, NC:	800-438-2250	Richmond, VA:	866-839-3495
Delmar, DE:	866-486-1400	Scranton, PA:	800-569-1400
Des Moines, IA:	888-673-5011	Springfield, MA:	800-854-5306
Elkton, MD:	800-544-7127	Voorhees, NJ:	866-315-0235

HaleTrailer.com | @haletrailer

**800-232-6535** \*FINANCING AVAILABLE

### FRAME TYPE MVP SS

Model # TRAR33AA640-2024

**Weight**      **13645 lbs.**    \*\*\*    **Cubic Yards**      **47**

#### BODY

LOAD PROFILE	MATERIAL, 80K GVWR
LENGTH	33
WIDTH	96
FLOOR	1/4 IN. FULL
STUB LONGITUDINALS	YES
CROSSMEMBER SPACING	12 IN.
COAL BUCKET FLOOR BRACING	NONE
SIDE PLACEMENT	INSET SMOOTH SIDE PANEL
FLOOR LINER	NONE
BODY HOLD DOWN	NONE
VIBRATOR	NONE
RUBBER SEAL	YES
REAR HINGE PIN	STANDARD
AIR FAIRINGS	NONE
WALL HEIGHT	64
WALL THICKNESS	67% STANDARD 1.5" PANELS - .150" WALL & 33% - HEAVY 1.5" PANELS - .175" WALL
WALL LINER	NONE
TOP RAIL OPTION	SOLID
<b>SOLID</b>	
REAR POCKET SLOPE	2.75
HOIST	8-5-265 - CUSTOM
HOIST ACCESS ON DH INSIDE OF TRAILER ONLY	
REMOTE GREASE	SINGLE POINT REMOTE REAR
BULKHEAD	3/16 IN.
BULKHEAD TYPE	RADIUS CORNERS
BULKHEAD DOOR	BULKHEAD DOOR D.S.
HANDLE ON BOTH SIDES OF MANDOOR	
BULKHEAD SLOPE PLATES	YES, 18 IN.
5" TO FIT UNDER MAN DOOR	
LOWER BULKHEAD WRAP	YES
BULKHEAD STEPS	NONE
SIDES STEPS D.S.	LAST OUTSIDE ONLY
SIDES STEPS C.S.	NONE
SHOVEL HANGER	YES, DRIVERS SIDE
MOVE TO INSIDE ON DOG HOUSE	
FRONT FENDERS WITH FLAPS	12 IN. W/ FLAPS
ALUMINUM ROLL CAP	NONE

REAR END STYLE

STANDARD

**LIGHTS**

LIGHT TYPE	GROTE L.E.D. W/ GROMMET
LIGHT PANEL	3 LARGE-3 SMALL-3 LARGE (FULL LIGHT PANEL) OOO ooo OOO
	OOBoooBOO
APRON	3/8 IN. X 4 IN. LIGHT SHIELD
STD. MARKER LIGHTS	(9) EACH SIDE TOP & BOTTOM
MID-TURNS	(1) PAIR L.E.D. (NON-COMBO)
BACK-UP LIGHTS	(1) PAIR L.E.D. BACK-UP LIGHTS
AUXILIARY CABLE	7 WAY (ISO)
BACK-UP LIGHT WIRE	AUXILIARY (BLUE WIRE)
REAR POCKET LIGHTS	1 PAIR

**GATE**

GATE SHEET THICKNESS	VERTICAL PANELS
GATE OPERATION	ELECTRIC THRU AUX. & BALL VALVE
HINGE TYPE	O. S. SWING C.S. W/ INPOCKET GROUND CONTROL
COAL DOOR	NONE
CHUTE	NONE
DOUBLE HANDLE DOOR	NONE
GATE BRACING	NO BRACING (SMOOTH SIDE PANELS)
GATE STIFFENER	NONE
PUSHER BLOCK	NONE
HALF ROUND ON GATE	NONE
ANGLE ON TOP OF GATE	NONE
SPREADER CHAINS	NONE
WINDERS / SAFETY LATCH	WINDERS (1) EACH SIDE
GATE STEPS	NONE
TARP HOOKS	NONE
GATE LINER	NONE

**PRIMARY AXLES**

MODEL	TRI-AXLE
NO. OF PRIMARY AXLES	2
SUSPENSION	HEND. INTRAAX AAT-30K W/ HXL-5
AXLE SPACING	52
AXLES	AXLE FOR INTRAAX ONLY
BRAKES	7 IN. XL, W/ 30-30 CHAMBERS
CAM GUARDS	HEND. INTRAAX
HUB AND DRUM	CAST W/ STEEL HUB HP 10 STUD TP, LS, 7 IN.
TIRES	CONTINENTAL HSR2 11R 24.5 16 PLY
WHEELS	ALUMINUM HP 24.5X8.25 - ALL POLISHED (XP)
PRIMARY AXLE TIRE INFLATION SYSTEM	HENDRICKSON SYSTEM (TIREMAAX PRO)

**LIFT AXLES**

NO. OF LIFT AXLES	1
LIFT AXLE SUSPENSION	HEND. INTRAAX AAL 30K (4) TIRES W/HXL-5
LIFT KIT	HEND. UBL-002 (INTRAAX AAL)
LIFT AXLE DISTANCE	52
LIFT AXLE	AXLE FOR INTRAAX ONLY
LIFT AXLE BRAKES	7 IN. XL, W/ 30-30 CHAMBERS
LIFT AXLE CAM GUARDS	HEND. INTRAAX
LIFT AXLE HUB AND DRUM	CAST W/ DURALITE HUB HP OB 10 STUD TP, LS, 7 IN.
LIFT AXLE TIRES	CONTINENTAL HSR2 11R 24.5 16 PLY
LIFT AXLE WHEELS	ALUMINUM HP 24.5X8.25 - ALL POLISHED (XP)
LIFT AXLE CONTROLS	ELECTRIC UP ON BLACK WIRE & BALL VALVE (NO / REG.)
FREE WHEEL VALVE	YES
LIFT AXLE TIRE INFLATION SYSTEM	HENDRICKSON SYSTEM (TIREMAAX PRO)

**STEERABLE LIFT AXLES**

NO. OF STEERABLE AXLES	0
------------------------	---

STEERABLE AXLE SUSPENSION	NONE
STEERABLE AXLE DISTANCE	N/A
STEERABLE AXLES	NONE
STEERABLE AXLE BRAKES	NONE
STEERABLE AXLE HUB AND DRUMS	NONE
STEERABLE AXLE TIRES	NONE
STEERABLE AXLE WHEELS	NONE
STEERABLE AXLE CONTROLS	NONE

## CHASSIS

FRAME RAILS	17 IN. ALUMINUM BEAMS
RUBBER CUSHION RIDE	YES
NO. OF INCHES FOR GOOSENECK	12
LID FOR GOOSENECK	HINGED GOOSENECK
PIN SETTING	18
5TH WHEEL PLATE	GALVANIZED 5/16
5TH WHEEL PLATE HEIGHT	50 IN. HIGH
KING PIN	.375 KING PIN ONLY
NO. OF INCHES FOR REAR OVERHANG	6
TRACTOR DRIVE MODEL	TANDEM DRIVE
GALVANIZED SUSPENSION HANGERS	YES
STIFFENER PLATE	NONE
HOIST & MOUNT STYLE	3 IN. X 6 IN. X 3/8 IN.
SUSPENSION CONTROL	ELECTRIC THRU AUX. & BALL VALVE
ABS FOR TRAILER	(1) 2S1M MERITOR / WABCO
SLACKS	AUTOMATIC
AXLE LUBRICATION	HXL, SYNTHETIC SEMI-FLUID GREASE
HUBODOMETER	NONE
DUST COVERS	YES
TIRE CARRIER(S)	NONE
DOLLIES - LANDING GEAR - LANDING LEGS	JOST AX-150 - (55,000 LB.) - 10 YEAR ALUMINUM - GALVANIZED LOWER LEGS - D.S.
SHIMS	MYLAR
REGISTRATION HOLDER	BETTS PS-1 W/ SIGHT GLASS (ROUND HOLDER)
AIR GAUGE / SYSTEM	YES, IN FRONT
ENCLOSURE FOR SWITCHES	POLYMER

D.S. BEHIND DOLLIES

AIR TANKS	ALUMINUM TANK
HYDRAULIC HOSE FITTING	MALE QUICK CONNECT ONLY, NO HOSE

MALE WING FITTING ONLY - NO HOSE

FLAPS FRONT OF TIRES	FULL RUBBER ACROSS FRONT OF FRONT AXLE
FLAPS REAR OF TIRES	FULL RUBBER ACROSS REAR OF TRAILER
TOW HOOKS	(2) BOLT ON

AT REAR

BUMPER	NONE
--------	------

## TARP

TARP MANUFACTURER	NONE
TARP CONTROL	NONE
TARP COLOR	NONE
BOW HOLDERS	NONE
TARP BRACKET	NONE

## PAINT

HANGERS	GALVANIZED
SUSPENSION COLOR	BLACK PAINT
DOLLIES	BLACK (931716)
HOIST COLOR	BLACK (931716)
5TH WHEEL PLATE COLOR	BLACK (931716)
PIN STRIPING	BLACK (931716)
MAC MACHINE FINISH LOGOS	BLACK (931716)

OPTIONAL SIGNS	NONE
----------------	------

---

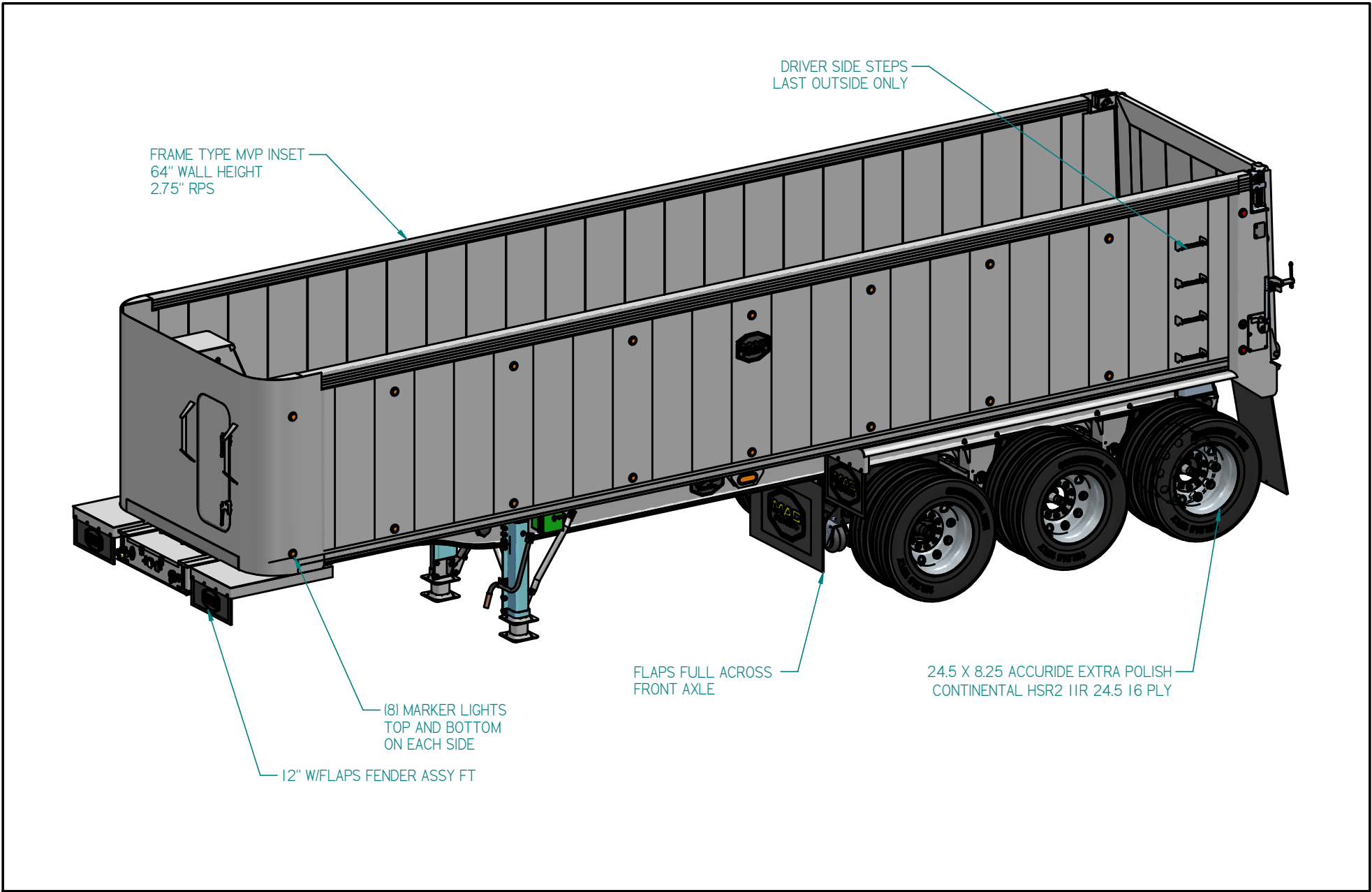
## ACCESSORIES

NO. OF CHAIN TIE DOWNS (PER PAIR) (CUSTOMER MUST SPECIFY LOCATION)	NONE
TOW MOTOR PACKAGE	NONE
COIL RACK ANGLES	NONE
LOAD LEVEL INDICATOR	NONE
3-1/2 IN. ANGLES UNDER RAIL	NONE

---

### DISCLAIMER

Specifications are believed to be correct, but may contain errors and/or omissions. Photographs are the representative of the subject equipment but may not be identical.  
Equipment availability, prices and specifications are subject to change without notice.



DRIVER SIDE STEPS  
LAST OUTSIDE ONLY

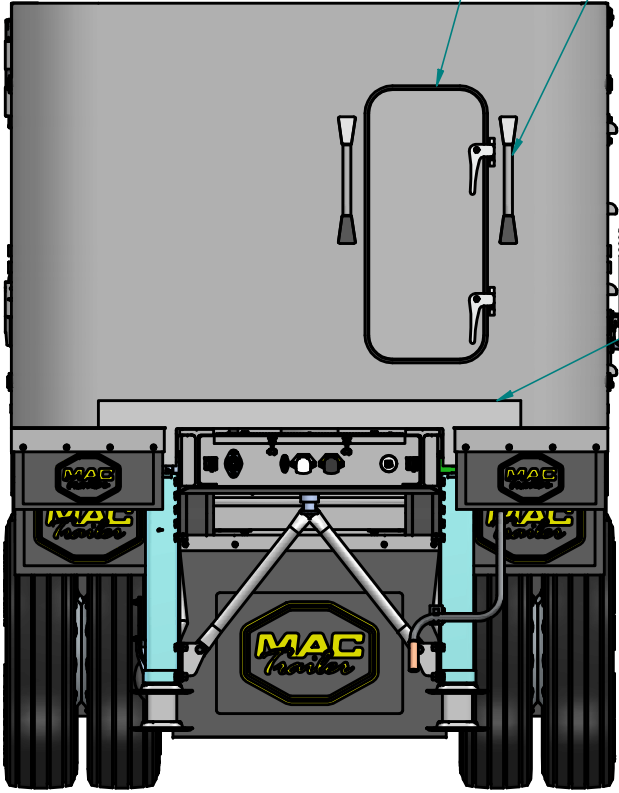
FRAME TYPE MVP INSET  
64" WALL HEIGHT  
2.75" RPS

(8) MARKER LIGHTS  
TOP AND BOTTOM  
ON EACH SIDE

12" W/FLAPS FENDER ASSY FT

FLAPS FULL ACROSS  
FRONT AXLE

24.5 X 8.25 ACCURIDE EXTRA POLISH  
CONTINENTAL HSR2 IIR 24.5 16 PLY



BULKHEAD DOOR ASSEMBLY D.S.

GRAB HANDLE FOR B.H. DOOR 12"

LOWER BULKHEAD WRAP

OVERSLUNG CURB SIDE SWING GATE HINGE IN POCKET GROUND CONTROL

WINDERS EACH SIDE

REAR SILL, SSO, 3L-3S-3L X 95-1/2"

FULL ACROSS REAR FLAPS

