

HALE

TRAILER

BRAKE & WHEEL



A020625
VIN: 74816

SALES | RENTALS | PARTS | SERVICE

Allentown, PA:	800-383-8894	Jacksonville, FL:	800-828-3055
Baltimore, MD:	888-601-7500	Little Rock, AR:	833-424-8944
Boston, MA:	800-854-5310	Portland, ME:	800-325-4253
Concord, NC:	800-438-2250	Richmond, VA:	866-839-3495
Delmar, DE:	866-486-1400	Scranton, PA:	800-569-1400
Des Moines, IA:	888-673-5011	Springfield, MA:	800-854-5306
Elkton, MD:	800-544-7127	Voorhees, NJ:	866-315-0235

HaleTrailer.com | @haletrailer     

800-232-6535 *FINANCING AVAILABLE

1600D PNEUMATIC DRY BULK TANK

*** **Weight** 10068 lbs. (+/- 3%) **Cubic Feet** (1) (+/- 3%)

BODY

REGION	DOMESTIC
LOAD PROFILE	72K
VESSEL THICKNESS	0.190 5454-H32 ALUMINUM
CUBIC FT CAPACITY	1600
COMMODITY	DRY POWDERS
MODEL SUB TYPE	NONE
TRAILER OPERATION TYPE	PNEUMATIC
FOOD GRADE	NONE
VESSEL FINISH	MILLED
LENGTH	44 FT. / 13.41 M.
WIDTH	102
OPERATING TEMPERATURE	185 F / 85 C
OPERATING PRESSURE	14.7 PSI / 101.35 KPA
COMPARTMENT OPTIONS	SINGLE COMPARTMENT
LOWER HOPPER CONES	WELD-ON 45 DEG (STANDARD)
MANLID QUANTITY	3
MANLID LOCATION LAYOUT	OVER EACH HOPPER
FIRST MANLID TYPE	BETTS MODEL 8555, 20 IN. MANWAY
SECOND MANLID TYPE	BETTS MODEL 8555, 20 IN. MANWAY
THIRD MANLID TYPE	BETTS MODEL 8555, 20 IN. MANWAY

AERATION

AERATOR FORMAT	3 PER HOPPER (STANDARD)
AERATOR TYPE	BTI SPIN FLOW AERATION KIT W/ WEAR PLATES AND 2 IN. BTI BLACKMAXX INDIVIDUAL AERATION CONTROLS AT EACH HOPPER
AERATION LOCATION	DRIVER SIDE
AERATOR LINE CONTROL	3" BTI BLACKMAX BUTTERFLY VALVE
AERATOR SEAT	WHITE RUBBER (FOOD GRADE) SEAT
AERATOR DISK	ALLOMAXX DISC
AERATOR HANDLE TYPE	ALUMINUM
AERATOR HANDLE POSITION	MANUAL 10 - POSITION

AIR INLET

AIR INLET SIZE	3 IN. SCH. 10 ALUMINUM PIPE
AIR INLET LOCATION	DRIVER SIDE
CHECK VALVES	(2) BTI OPTIMA CHECK VALVES - (1) AT AIR INLET & (1) UP STREAM OF FRONT HOPPER DISCHARGE
AIR INLET SILENCER	NONE

PROP / PRES CONTROL VALVE

CONTROL VALVE HOUSING	3" BTI BLACKMAX BUTTERFLY VALVE
CONTROL VALVE DISK	ALLOMAXX DISC
CONTROL VALVE HANDLE TYPE	ALUMINUM
CONTROL VALVE HANDLE POSITION	MANUAL 10 - POSITION

BLOW DOWN LINE

BLOW DOWN LINE HOUSING	3" BTI BLACKMAX BUTTERFLY VALVE
BLOW DOWN LINE DISK	ALLOMAXX DISC
BLOW DOWN LINE SEAT	WHITE RUBBER (FOOD GRADE) SEAT
BLOW DOWN LINE HANDLE TYPE	ALUMINUM
BLOW DOWN LINE LOCATION	DRIVER SIDE FRONT
BLOW DOWN LINE HANDLE POSITION	MANUAL 10 - POSITION
BLOW DOWN RELIEF PRESSURE	15 P.S.I.

TOP AIR

TOP AIR VALVE HOUSING	3" BTI BLACKMAX BUTTERFLY VALVE
TOP LINE LOCATION	DRIVER SIDE FRONT


PRODUCT & DISCHARGE

PRODUCT / DISCHARGE LINE SIZE	4 IN
PRODUCT / DISCHARGE LINE MATERIAL	ALUMINUM
PRODUCT / LINE MATERIAL GAUGE	SCHD.40
PRODUCT VALVE SIZE	6" BTI BLACKMAXX BUTTERFLY VALVES
PRODUCT VALVE SEAT	WHITE RUBBER (FOOD GRADE) SEAT
PRODUCT VALVE DISK	ALLOMAXX DISC
PRODUCT LINE CONNECTIONS FR & RR	BTI VICTAULIC COUPLERS -BOLT ON
PRODUCT/DISCHARGE LINE CONNECTION	MAC Rubber Sleeves with Stainless Worm Gear Clamp
PRODUCT VALVE HANDLE TYPE	ALUMINUM
PRODUCT VALVE HANDLE POSITION	MANUAL 5 - POSITION
PRODUCT TEE TYPE	6 X 4 ALUMINUM BOTTOM DROP TEE
REAR DISCHARGE LOCATION	EXTEND THROUGH AXLES TO REAR
NO. OF GAUGE ENCLOSURE	1
GAUGE LOCATION	Driver Side -Rear- Forward of Tandem

PRIMARY AXLES

MODEL	TANDEM
NO. OF PRIMARY AXLES	2
SUSPENSION	HEND. INTRAAX AAT W/ RAISED AXLE - TP SPINDLE
NO. OF LIFT KITS	0
AXLES	77.5" AXLES
LIFT KIT_	NONE
LIFT CONTROLS	NONE
WHEEL END PACKAGE	YES (HXL5)
BRAKES	7 IN. XL, W/ 30-30 CHAMBERS
CAM GUARDS	HEND. INTRAAX
HUB AND DRUM	CENT W/ DURALITE HUB HP OB 10 STUD TP, LS, 7 IN.
TIRES	GOODYEAR MARATHON RSS 11R 22.5 16 PLY
WHEELS	ALUMINUM HP 22.5X8.25 - ALL POLISHED (XP)
PRIMARY AXLE TIRE INFLATION SYSTEM	NONE

CHASSIS

5TH WHEEL PLATE	GALVANIZED STEEL, ADJUSTABLE
 POWDER COATED	
5TH WHEEL PLATE HEIGHT	48 IN. HIGH
SUSPENSION CONTROL	AUTOMATIC DUMP ON EMERGENCY GLADHAND
SCALE SYSTEM	LOAD GAUGE - DRIVER SIDE REAR
ABS FOR TRAILER	(1) 4S2M MERITOR / WABCO
SLACKS	AUTO
HUBODOMETER_	NONE
AXLE LUBRICATION	HXL-5 CHEVRON-DELO SEMI-FLUID GREASE W/ SOLID HUBCAPS (H.L.S. WHEEL END PACKAGE)
DOLLIES - LANDING GEAR - LANDING LEGS	JOST - 5 YEAR NO LUBE- D.S.
AIR TANKS	ALUMINUM TANK

LIGHTS

LIGHT TYPE	GROTE L.E.D. W/ GROMMET
REAR I.D. LIGHTS	(3) I.D. LIGHTS TOP
LIGHT PANEL	(TURN) (STOP) (STOP) - (STOP) (STOP) (TURN)
STD. MARKER LIGHTS	2 EACH SIDE FRONT & REAR
MID-TURNS	(2 PAIR) LED-BOXED IN
BACK-UP LIGHTS	NONE
BACK-UP LIGHT LOCATION	NONE
AUXILIARY CABLE	NONE
NO. OF WORK LIGHTS	3
WORK LIGHT MODEL	L.E.D. CUBE WORK LIGHTS
WORK LIGHT LOCATION	(1) DRIVER SIDE FRONT FENDER, (2) MOUNTED HIGH REAR
WORK LIGHT SWITCH LOCATION	OUTSIDE

PAINT

SUSPENSION COLOR	MAC BLACK
MAC MACHINE FINISH LOGOS	BLACK (931716)

ACCESSORIES

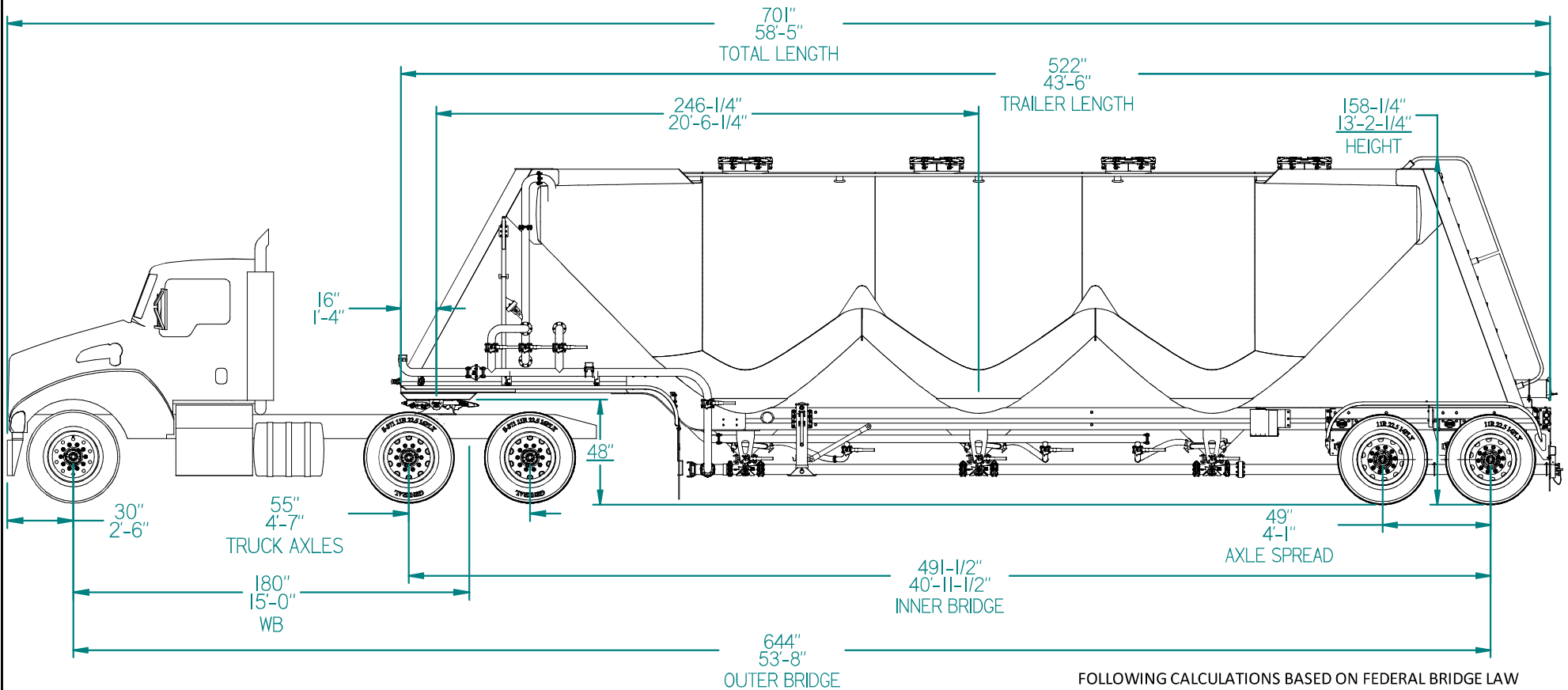
FOLDING LADDER RAIL	NONE
FOLDING LADDER RAIL OPERATION TYPE	NONE
TOE RAIL	FULL LENGTH ON BOTH SIDES
CABINET	NONE
CENTER WALKWAY	ADHESIVE BACKED, SKID-RESISTANT TAPE BETWEEN TOE RAILS
HOSE STORAGE TUBE	(1) 8 IN. X 21 FT. MOUNTED ON CS
GAUGES	1 - LINE P.S.I. / 1 TANK P.S.I. - (INSIDE ILLUMINATED ENCLOSURE)
MUD FLAPS	ANTI-SAIL FLAPS (REAR OF FRONT FENDERS AND REAR OF BACK FENDERS)
PRODUCT DISCHARGE HOSE	NONE
FENDERS_	ALUMINUM ROLLED EDGE - SINGLE CONTOUR AT FRONT, DOUBLE CONTOUR AT REAR
DOCUMENT HOLDER	LOCATED DRIVER SIDE NEAR LANDING GEAR
AIR INLET ACCESSORIES	PTO HOSE HOLDER, MAST, HOOK AND DUMMY ADAPTER LOCATED DRIVER SIDE ABOVE FRONT FENDER

*** denotes a weight for reference only. Trailer weight will be provided with the engineering design approval packet.

DISCLAIMER

Specifications are believed to be correct, but may contain errors and/or omissions. Photographs are the representative of the subject equipment but may not be identical. Equipment availability, prices and specifications are subject to change without notice.

TRAILER IS FOR REPRESENTATIVE PURPOSES, AND APPEARANCE MAY VARY. FOR ACCURATE REPRESENTATIVE OF COMPLETED UNIT SEE APPROVAL DRAWINGS PRIOR TO PRODUCTION.



FOLLOWING CALCULATIONS BASED ON FEDERAL BRIDGE LAW

$$W = 500 \left(\frac{LN}{N-1} + 12N + 36 \right)$$

	OUTER BRIDGE		INNER BRIDGE	
	STEER	TANDEM	TANDEM	GVW
ALLOWABLE	12,000 LB.	34,000 LB.	34,000 LB.	80,000 LB.
CALCULATED	12,000 LB.	34,000 LB.	33,573 LB.	79,573 LB.

OUTER BRIDGE = GVW	
LENGTH	53.6 FT.
NUMBER OF AXLES	5
WEIGHT PERMITTED	80,000 LB.

INNER BRIDGE	
LENGTH	40.9 FT.
NUMBER OF AXLES	4
WEIGHT PERMITTED	69,500 LB.

ALLOWABLE GVW	80,000 LB.	CALCULATED GVW	79,573 LB.
TRUCK WEIGHT	17,500 LB.	TRUCK WEIGHT	17,500 LB.
TRAILER WEIGHT	9,350 LB.	TRAILER WEIGHT	9,350 LB.
PAYLOAD	53,150 LB.	MAX PAYLOAD	52,723 LB.

TRAILER AXLES	
LENGTH	4.1 FT.
NUMBER OF AXLES	2
WEIGHT PERMITTED	34,000 LB.

TRUCK AXLES	
LENGTH	4.6 FT.
NUMBER OF AXLES	2
WEIGHT PERMITTED	34,000 LB.

THIS WEIGHT DISTRIBUTION IS BASED ON A MAC STANDARD TRACTOR THAT COMPLIES WITH THE FEDERAL BRIDGE LAW. USING OTHER TRACTOR CONFIGURATIONS WILL AFFECT THE MAX PAYLOAD AND GVW.

http://ops.fhwa.dot.gov/Freight/publications/brdg_frm_wghts/index.htm



PNEUMATIC TANK, 1600
44' CLOSED TANDEM

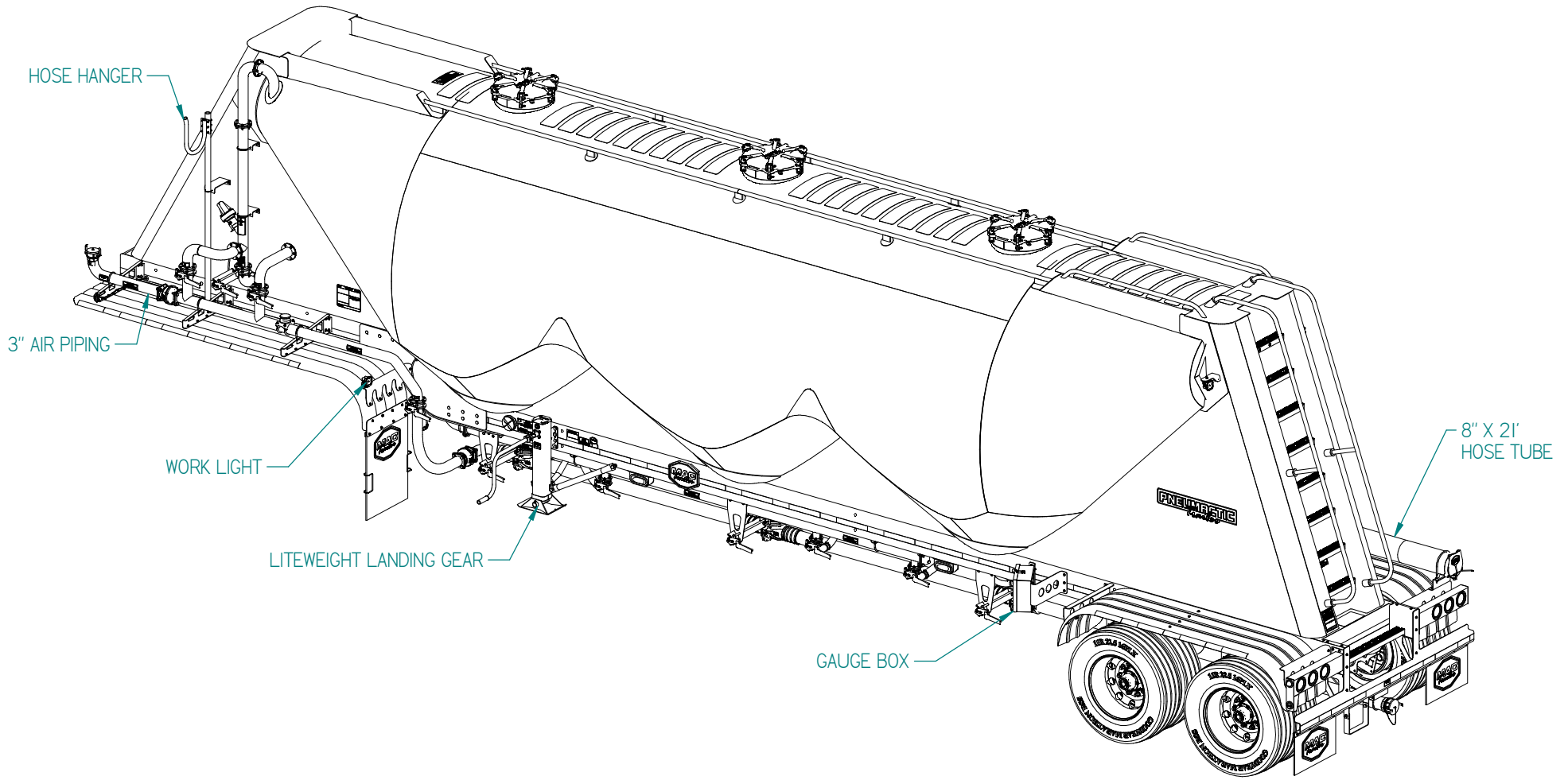
DRAWN BY:	DATE:
clintb	08/11/17

ALL WEIGHTS HAVE A TOLERANCE OF +/- 3%

THIS DRAWING IS THE PROPERTY OF MAC MANUFACTURING INC. AND SUBJECT TO RECALL AT ANY TIME. DUPLICATION OR DISTRIBUTION WITHOUT PERMISSION IS PROHIBITED.

APPROVAL
SIGNATURE _____

DATE _____



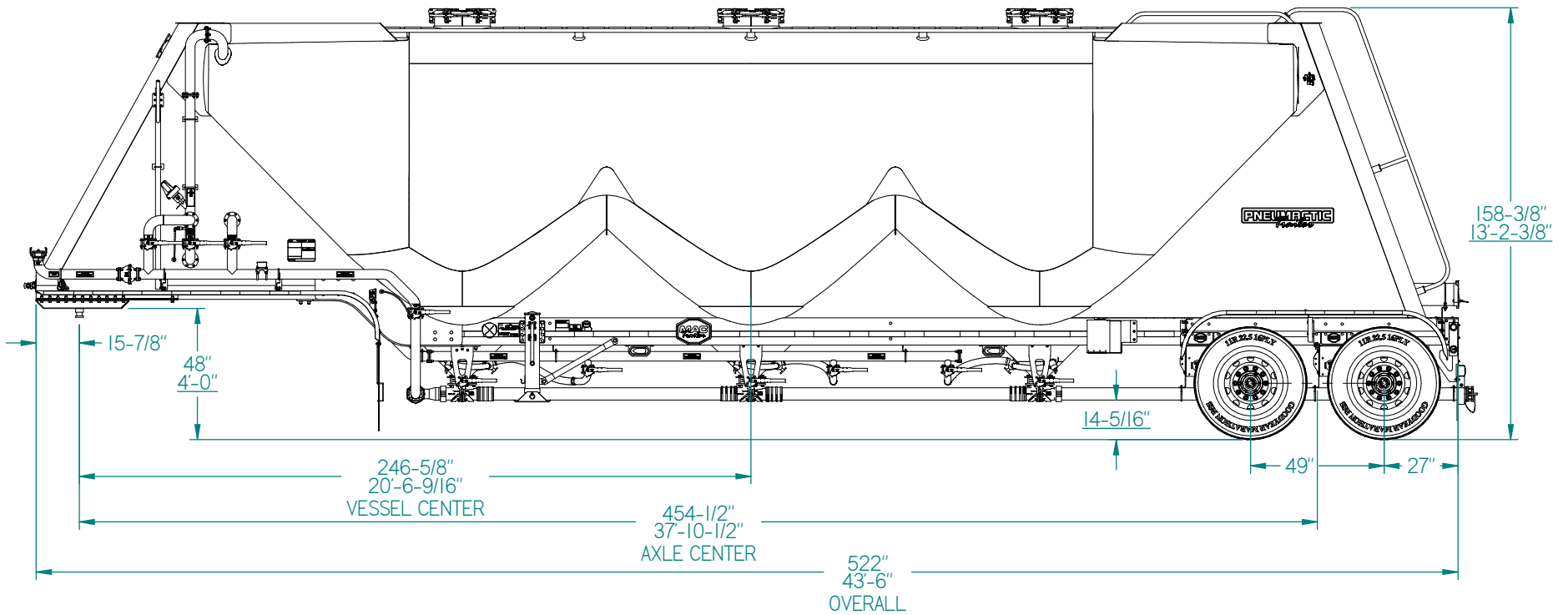
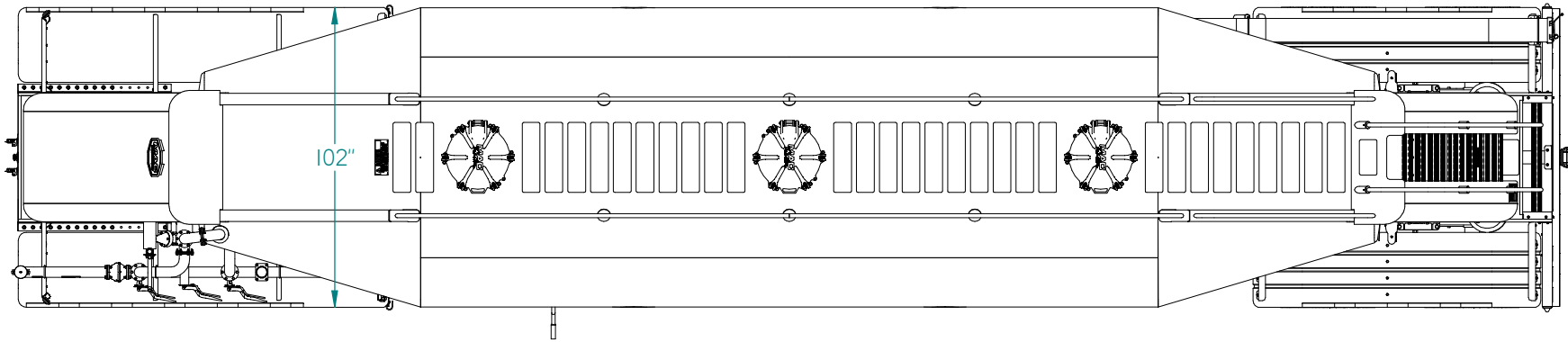
THIS DRAWING IS THE PROPERTY OF MAC TRAILER MANUFACTURING INC. AND SUBJECT TO RECALL AT ANY TIME. DUPLICATION OR DISTRIBUTION WITHOUT PERMISSION IS PROHIBITED.

UNLESS OTHERWISE SPECIFIED DIMENSIONS ARE IN INCHES ANGLES 12° FRACTIONS 1/8 DECIMALS .002

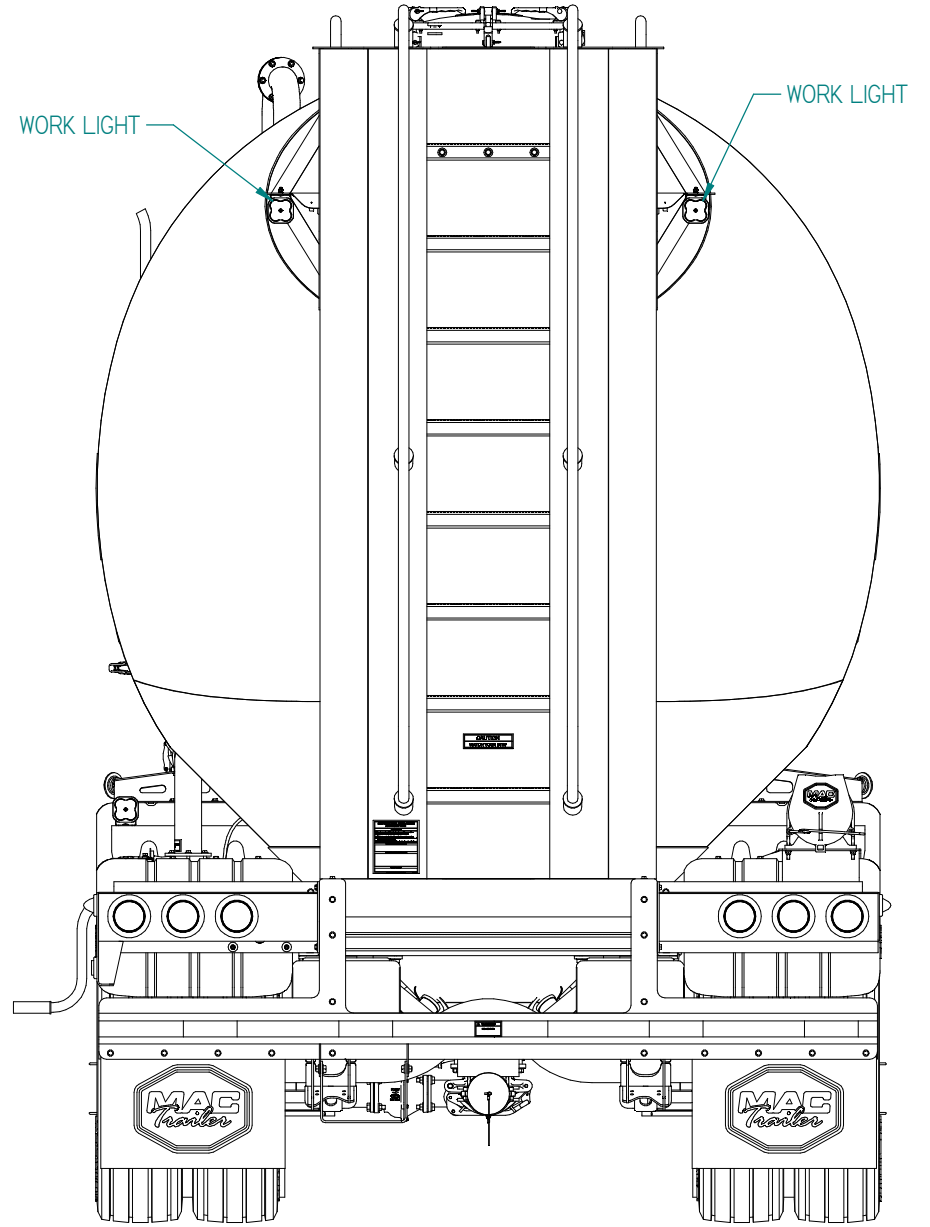
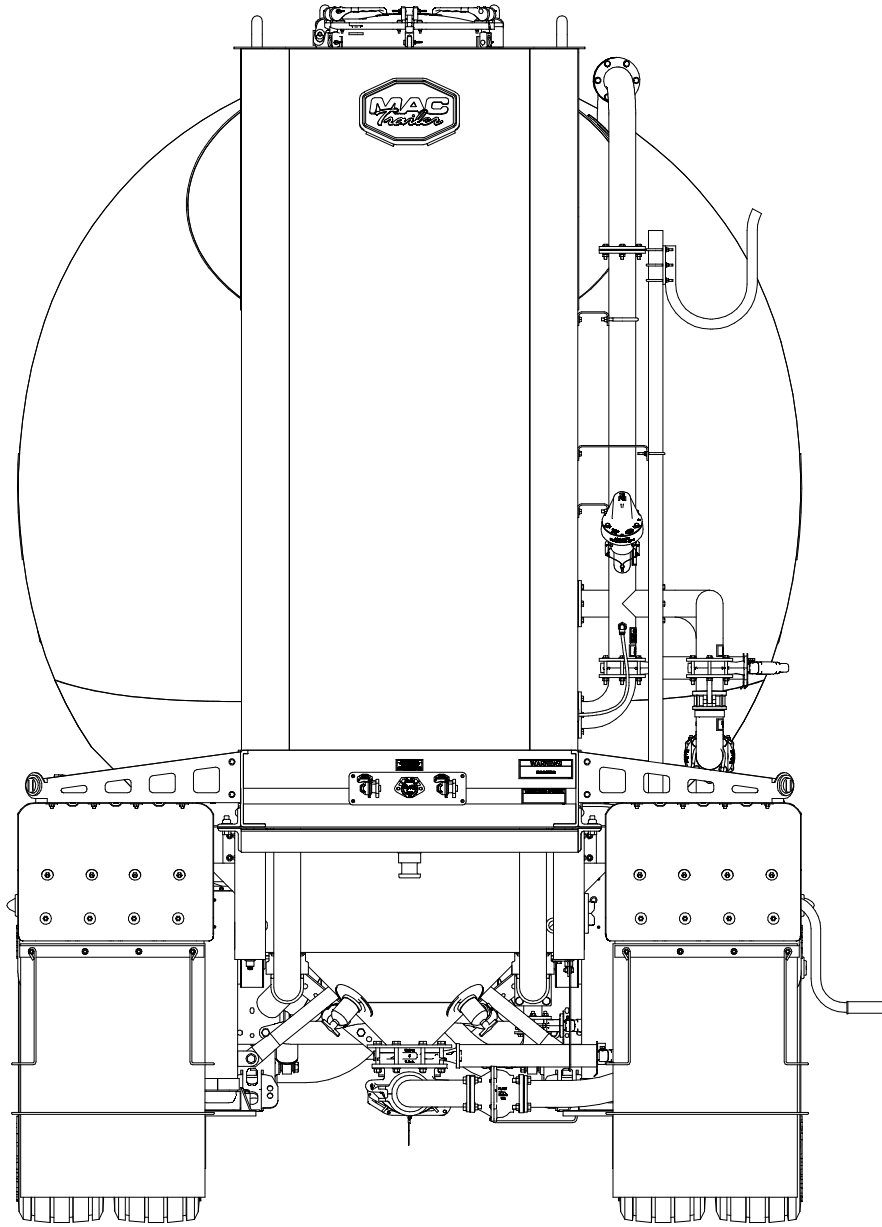
MAC MANUFACTURING INC.

44' 102W CLOSED TANDEM 1600

1	11/14/2023	RELEASED TO PRODUCTION	N/A	pmiller	DRAWN pmiller	DATE: 11/14/2023	WEIGHT: 0.0 lbrn	PAGE 1 OF 4	PART # 73528
REV.	DATE	REASON FOR CHANGE	ECN #	BY					



THIS DRAWING IS THE PROPERTY OF MAC TRAILER MANUFACTURING INC. AND SUBJECT TO RECALL AT ANY TIME. DUPLICATION OR DISTRIBUTION WITHOUT PERMISSION IS PROHIBITED.		MAC MANUFACTURING INC.	
UNLESS OTHERWISE SPECIFIED DIMENSIONS ARE IN INCHES ANGLES 1/2° FRACTIONS 1/16° DECIMALS .002		44 102W CLOSED TANDEM 1600	
1	11/14/2023	RELEASED TO PRODUCTION	N/A pmiller
REV.	DATE	REASON FOR CHANGE	ECN # BY
			WEIGHT: 0.0 lbm
			PAGE 2 OF 4
			PART # 73528



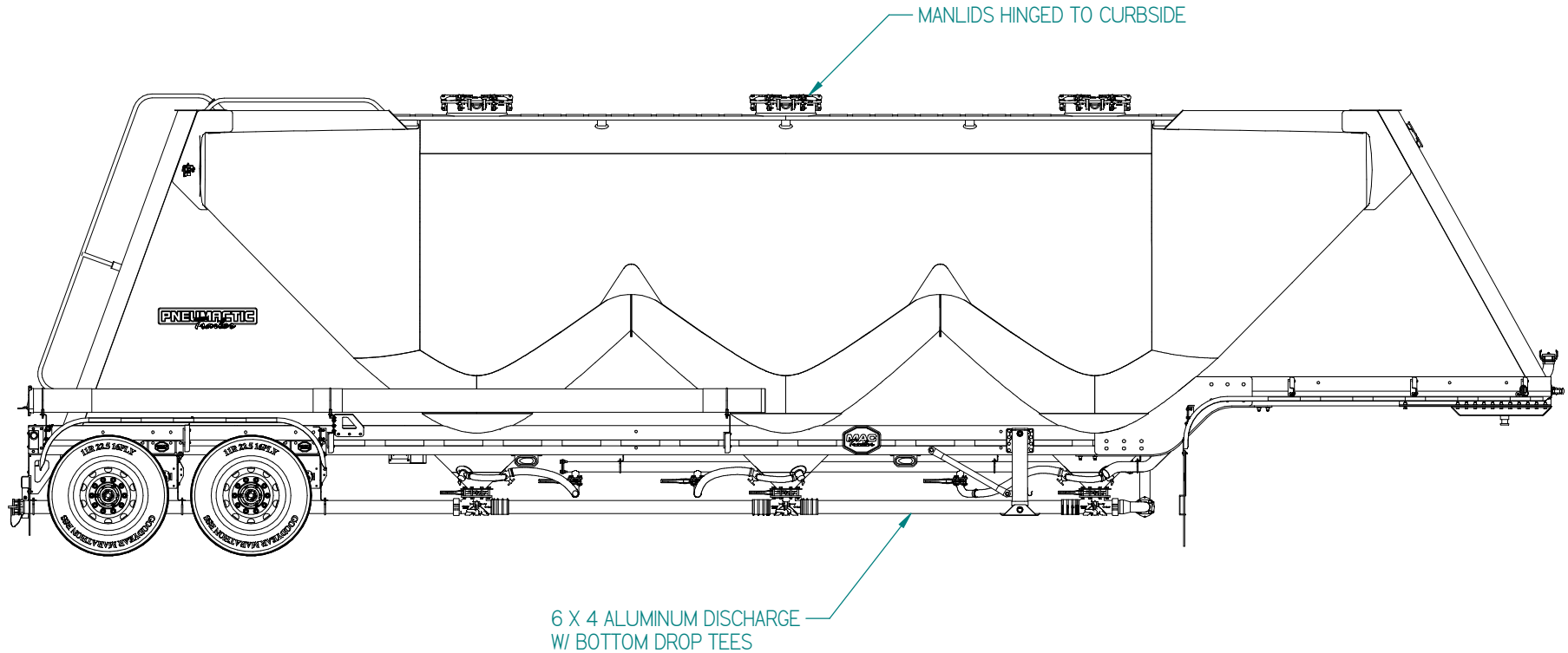
THIS DRAWING IS THE PROPERTY OF MAC TRAILER MANUFACTURING INC. AND SUBJECT TO RECALL AT ANY TIME. REPLICATION OR DISTRIBUTION WITHOUT PERMISSION IS PROHIBITED.

UNLESS OTHERWISE SPECIFIED DIMENSIONS ARE IN INCHES ANGLES 1/2" FRACTIONS 1/16" DECIMALS .002

MAC MANUFACTURING INC.

44' 102W CLOSED TANDEM 1600

1	11/14/2023	RELEASED TO PRODUCTION	N/A	pmiller	DRAWN pmiller	DATE: 11/14/2023	WEIGHT: 0.0 lbrn	PAGE 3 OF 4	PART # 73528
REV.	DATE	REASON FOR CHANGE	ECN #	BY					



THIS DRAWING IS THE PROPERTY OF MAC TRAILER MANUFACTURING INC. AND SUBJECT TO RECALL AT ANY TIME. DUPLICATION OR DISTRIBUTION WITHOUT PERMISSION IS PROHIBITED.		MAC MANUFACTURING INC.	
UNLESS OTHERWISE SPECIFIED DIMENSIONS ARE IN INCHES ANGLES 1/2° FRACTIONS 1/16 DECIMALS .0002		44' 102W CLOSED TANDEM 1600	
DRAWN	pmiller	DATE	11/14/2023
WEIGHT	0.0 lbm	PAGE	4 OF 4
PART #	73528		

1	11/14/2023	RELEASED TO PRODUCTION	N/A	pmiller
REV.	DATE	REASON FOR CHANGE	ECN #	BY